





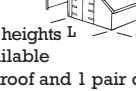

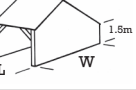
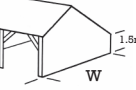




CARRIAGE HOUSES AND ATTACHED COMPARTMENTS



OPEN BARN WITH REAR CAT SLIDE ROOF

Price List ex. VAT Ref 04/17

	Size L x W	Roof Type		Erection Charge
		Boarded and Felted (22° Pitch)	Ready for Tiling (up to 35° Pitch)	
CARRIAGE HOUSE • 2.3m eaves height • Oak entrance frame • Choice of sawn weatherboard or planed shiplap cladding 	3.0m x 4.8m (10 x 16)	£2,620	£2,823	£280
	3.0m x 5.4m (10 x 18)	£2,872	£3,080	£307
	3.0m x 6.0m (10 x 20)	£3,127	£3,337	£334
SINGLE BAY 	5.4m x 4.8m (18 x 16)	£3,872	£4,109	£457
	6.0m x 4.8m (20 x 16)	£4,134	£4,326	£482
	5.4m x 5.4m (18 x 18)	£4,203	£4,405	£490
	6.0m x 5.4m (20 x 18)	£4,330	£4,629	£517
	5.4m x 6.0m (18 x 20)	£4,485	£4,712	£522
TWO BAY 	9.0m x 4.8m (30 x 16)	£5,728	£5,943	£668
	9.0m x 5.4m (30 x 18)	£5,982	£6,199	£697
	9.0m x 6.0m (30 x 20)	£6,276	£6,495	£731
THREE BAY 	3.0m x 4.8m (10 x 16)	£2,068	£2,147	£240
	3.6m x 4.8m (12 x 16)	£2,297	£2,370	£267
	3.0m x 5.4m (10 x 18)	£2,245	£2,320	£262
ATTACHED GARAGE  • 2.3m eaves height • Includes 1 pair of garage doors Other lengths available	3.6m x 5.4m (12 x 18)	£2,482	£2,549	£289
	3.0m x 6.0m (10 x 20)	£2,453	£2,527	£286
	3.6m x 6.0m (12 x 20)	£2,699	£2,767	£314
	2.4m x 4.8m (8 x 16)	£1,837	£1,918	£213
ATTACHED WORKSHOP  • 2.3m eaves height • Includes personal door and window Other lengths available	3.0m x 4.8m (10 x 16)	£2,055	£2,130	£239
	2.4m x 5.4m (8 x 18)	£1,952	£2,034	£227
	3.0m x 5.4m (10 x 18)	£2,170	£2,247	£253
	2.4m x 6.0m (8 x 20)	£2,061	£2,147	£240
	3.0m x 6.0m (10 x 20)	£2,286	£2,365	£266
ATTACHED CART LODGE  • 2.3m & 1.5m eaves heights • Only 35° pitch available • Includes cat slide roof and 1 pair of garage doors	4.2m x 4.8m (14 x 16)	-	£3,098	£434
	4.2m x 5.4m (14 x 18)	-	£3,443	£483
	4.2m x 6.0m (14 x 20)	-	£3,878	£543
ATTACHED LOG STORE  • 150 x 150 oak frame • 30° pitch roof • 2.2m & 1.5m eaves heights	1.2m x 4.6m (4' x 15')	£822	£742	£88
	1.2m x 5.2m (4' x 17')	£889	£799	£94
	1.2m x 5.8m (4' x 19')	£955	£855	£99

	Size L x W	Roof Type		Erection Charge
		Boarded and Felted (22° Pitch)	Ready for Tiling (35° Pitch)	
OPEN BARN WITH REAR CAT SLIDE ROOF • Oak frames front and back • 2.3m & 1.5m eaves heights • Only 35° pitch available 	3.0m x 4.8m (10' x 16')	-	£3,167	£380
	3.0m x 5.4m (10' x 18')	-	£3,429	£412
	3.0m x 6.0m (10' x 20')	-	£3,692	£443
SINGLE BAY 	5.4m x 4.8m (18' x 16')	-	£4,438	£532
	6.0m x 4.8m (20' x 16')	-	£4,650	£559
	5.4m x 5.4m (18' x 18')	-	£4,738	£569
	6.0m x 5.4m (20' x 18')	-	£4,956	£595
	5.4m x 6.0m (18' x 20')	-	£5,055	£606
	6.0m x 6.0m (20' x 20')	-	£5,281	£633
TWO BAY 	9.0m x 4.8m (30 x 16)	-	£6,022	£723
	9.0m x 5.4m (30 x 18)	-	£6,469	£786
	9.0m x 6.0m (30 x 20)	-	£6,916	£831
THREE BAY 				

Choice of Claddings - same price
Joinery grade Swedish redwood. (*Pinus Sylvestris*)

 Sawn weatherboard 2 ex 32 x 150 pressure treated	 Planed shiplap 19 x 125 pressure treated
--	--

CARRIAGE HOUSE OPTIONS

Personal Door
Standard on Workshop, optional elsewhere
£166

Window
Standard on Workshop, optional elsewhere
£198

Staddle Stone
150 x 150 x 150 x 175/200
£47 per oak post

Barn Doors
To fit Carriage House oak entrance frame
£707 per pair

Barn Hip
4.8m span £179
5.4m & 6.0m spans £203

Internal lining
Internal lining of Carriage House walls to eaves in matching cladding
Supply only as DIY kit £34/m run
Supply and fix £44/m run (only at time of erecting).

Rainwater Goods
112mm black plastic half round gutter £11/m run
68mm down pipe assembly £21 each

Planning Drawings
From £70
Cost credited at time of order

OPTIONS BY INDIVIDUAL QUOTATION
Available in delivery zones 1 & 2 only (see map on reverse of order form).
These options follow on a few days after erection of the building

- **2 layer Torch On Felt. Red or Black.**
For 22° pitch roofs and replacing standard single layer felt
- **Felt Shingles. Grey mineral finish.**
For 22° pitch roofs and replacing standard single layer felt (Mar - Sep only)
- **Tiling Service**
Wide range of fibre cement slates, natural slates, interlocking concrete tiles and plain tiles available

PASSMORES - CLEAR MARKET LEADERS

Strong, safe and long lasting
Our designs are proven by structural calculation. No leaning walls or sagging roofs and that's guaranteed.

Exceptional roof strength
You will not see widely spaced roof trusses on a Passmore building. All our roofs have trusses spaced at 0.6m (2') intervals. This provides a significant strength advantage. For example, P.V. solar panels can be installed on any Passmore felt roof building without the need for modification.

Effective wall bracing
Opposing diagonal braces or osb sheathing on all Carriage Houses.

Sturdy barn door option
25mm tgv, 38 x 150mm ledges and braces, 900mm galvanised hinges, drop bolts and locking bar.

Joinery grade Swedish Redwood Claddings
For superior performance and longer life.

Best quality oak
We only use grade QPA green oak in our buildings. (This is the highest quality available).

Key components pressure treated

In house delivery, erection and tiling services.

PASSMORES est. 1909
108 years of exceptional customer service

Please see overleaf for supply notes and Garage prices